

SPECIFICATION SUBMITTAL SHEET



FEATURES

Sizes: 65 80 100 150 200 250
 Maximum working water pressure 1203 kPa
 Maximum working water temperature 60°C
 Hydrostatic test pressure 2413 kPa
 End connections (Flanged) BS5163

OPTIONS

- LE - less shut-off valves (Table E flanges)
- LD - less shut-off valves (Table D flanges)
- E - with Table E NRS shut-off valves (standard)
- D - with Table D NRS shut-off valves
- E FSC - with epoxy coated Table E gates & Y type strainer
- D FSC - with epoxy coated Table D gates & Y type strainer

ACCESSORIES

- Repair kit (rubber only)
- QT-SET Quick Test Fitting Set
- Test Cock Lock (Model TCL24)
- Integral Relief Valve Monitor Switch (MS)

APPLICATION

Designed for installation on potable water lines to protect against both backsiphonage and backpressure of contaminated water into the potable water supply. The Model 375 provides protection where a potential health hazard exists. Ideal for use where lead-free* valves are required

STANDARDS COMPLIANCE

(Unless otherwise noted, sizes 65 - 250mm)

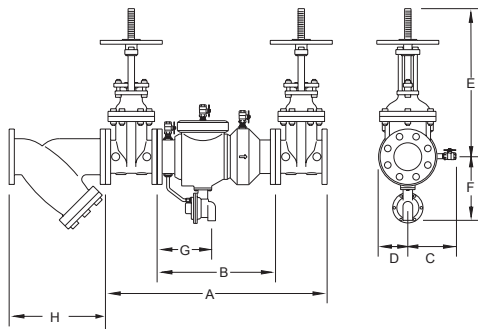
- ASSE® Listed 1013
- IAPMO® Listed
- CSA® Certified (65 - 200mm)
- AWWA Compliant C511
- FM® Approved
- UL® Classified
- C-UL® Classified
- NYC MEA 49-01-M Vol 2
- Approved by the Foundation for Cross Connection Control and Hydraulic Research at the University of Southern California.
- NSF® Listed-Standard 61, Annex G*

*(0.25% MAX. WEIGHTED AVERAGE LEAD CONTENT)

MATERIALS

Main valve body	Ductile Iron ASTM A 536 Grade 4
Access covers	Ductile Iron ASTM A 536 Grade 4
Coatings	FDA Approved fusion epoxy finish
Internals	Stainless steel, 300 Series NORYL™, NSF Listed
Fasteners	Stainless Steel, 300 Series
Seal rings	EPDM (FDA approved)
O-rings	Buna Nitrile (FDA approved)
Springs	Stainless Steel, 300 Series
Sensing line	Stainless Steel, braided hose

Relief Valve discharge port:
 65 - 150mm - 17.74 sq cm.
 200 - 250mm - 23.8 sq cm.



DIMENSIONS & WEIGHTS (do not include pkg.)

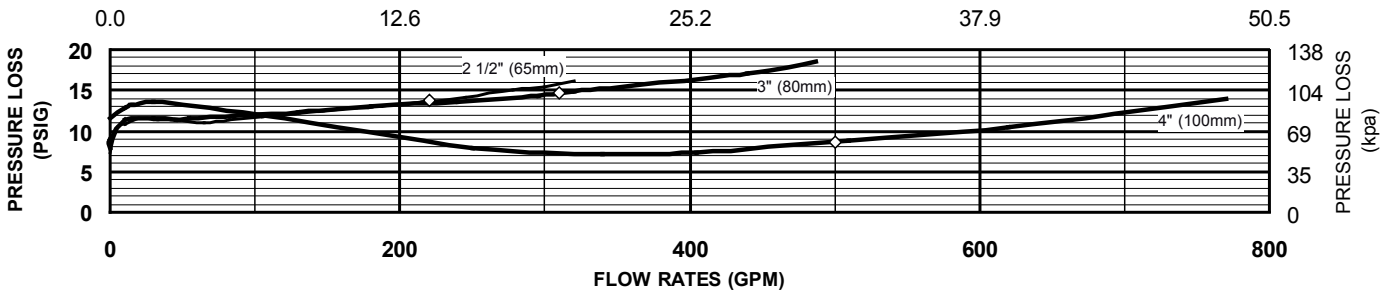
Attention: Model 375 (flange body) and Model 375A (grooved body) have different lay lengths.

MODEL SIZE (mm)	A	B	C	D	E	E	F	G	H	WEIGHT	WEIGHT	
	NRS	OS & Y	less gates		OS&Y	NRS		(approx only)		(less gates)	(with NRS gates)	
					(open)	(approx)						
65	783	791	403	184	95	416	177	241	213	290	27.2	67.2
80	809	813	403	184	95	479	216	241	213	310	27.2	77.2
100	991	956	533	203	114	578	240	279	254	350	44.5	107.5
150	1207	1137	673	254	152	765	293	314	313	480	79.5	202.5
200	1543	1543	959	279	254	959	330	391	426	600	171	357
250	N/A	1619	959	279	254	1162	N/A	391	426	N/A	185	N/A

FLOW CHARACTERISTICS

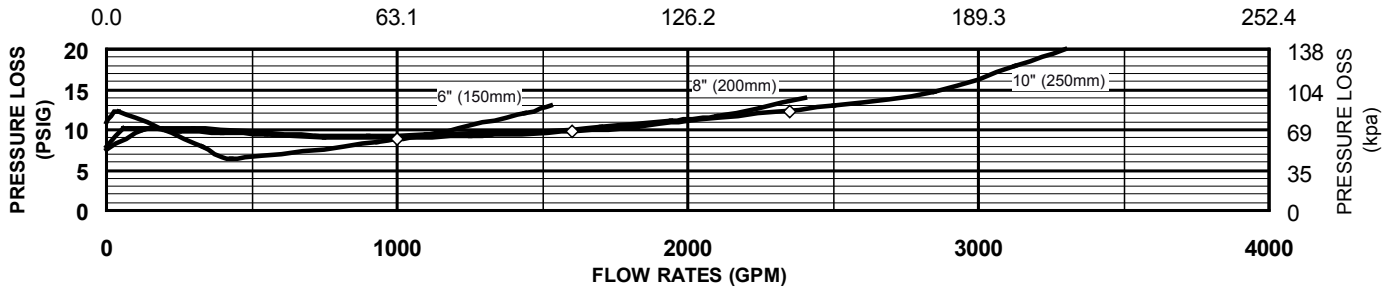
MODEL 375 2 1/2", 3" & 4" (STANDARD & METRIC)

FLOW RATES (l/s)



MODEL 375 6", 8" & 10" (STANDARD & METRIC)

FLOW RATES (l/s)

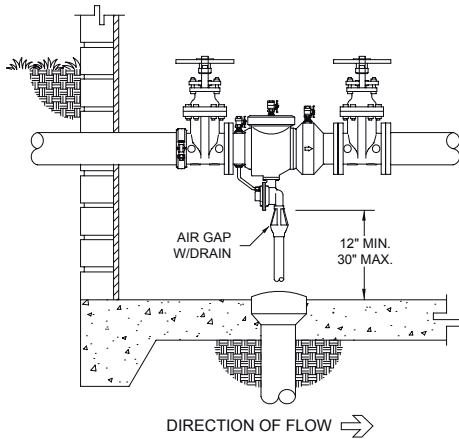


◇ Rated Flow (Established by approval agencies)

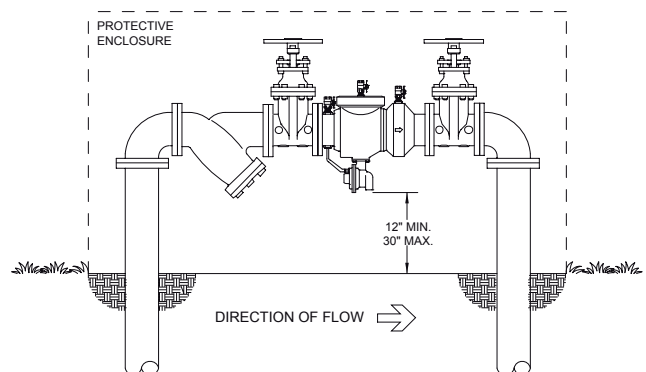
TYPICAL INSTALLATION

Local codes shall govern installation requirements. Unless otherwise specified, the assembly shall be mounted at a minimum of 12" (305mm) and a maximum of 30" (762mm) above adequate drains with sufficient side clearance for testing and maintenance. The installation shall be made so that no part of the unit can be submerged.

Capacity thru Schedule 40 Pipe (GPM)				
Pipe size	5 ft/sec	7.5 ft/sec	10 ft/sec	15 ft/sec
2 1/2"	75	112	149	224
3"	115	173	230	346
4"	198	298	397	595
6"	450	675	900	1351
8"	780	1169	1559	2339
10"	1229	1843	2458	3687
12"	1763	2644	3525	5288



INDOOR INSTALLATION (375GF)



OUTDOOR INSTALLATION

SPECIFICATIONS

The Reduced Pressure Principle Backflow Prevention Assembly shall be ASSE® Listed 1013, and supplied with full port gate valves. The main body and access cover shall be epoxy coated ductile iron (ASTM A 536 Grade 4), the seat ring and check valve shall be NORYL™, the stem shall be stainless steel (ASTM A 276) and the seat disc elastomers shall be EPDM. The checks and the relief valve shall be accessible for maintenance without removing the device from the line. The Reduced Pressure Principle Backflow Prevention Assembly shall be a WILKINS Model 375.